

Invented for life



**BOSCH**

# Bosch ECO

Automotive bulbs for value-based repair



Including  
**LED**

# ECO automotive bulbs

## Overview

As economic solution for price-oriented customers expecting both a value-based repair and reliable Bosch quality, the Bosch ECO range of automotive bulbs is the ideal alternative.

### Value-based repair

Price-oriented customers and owners of older vehicles look for spare and wear parts of high quality and long service life when repairing or replacing them. At the same time, they pay attention to reasonable prices corresponding to the value of the vehicle.

### Good price-performance ratio

The long service life of automotive bulbs plays a decisive role. Thanks to the use of robust materials and components, ECO bulbs have a long service life without impairing the light output. This ensures good road illumination over the long term.

### Broad market coverage

With 57 different automotive bulbs in halogen and xenon technology, Bosch ECO covers a wide range of passenger cars, commercial vehicles and two-wheelers.



# ECO LED

## Product details

With the ECO LED vehicle lamps, Bosch offers price-oriented customers an economic, high-quality retrofit LED lamp with good durability and light output.



### Advantages at a glance

- **LED upgrading made easy:** Powerful technology with an extreme white light
- **Modern design:** For a stylish look
- **Reliable quality:** For good light output and durability with 80% lower energy consumption than a halogen bulb
- **Good price-performance ratio:** Economic alternative for great value, even for older vehicles

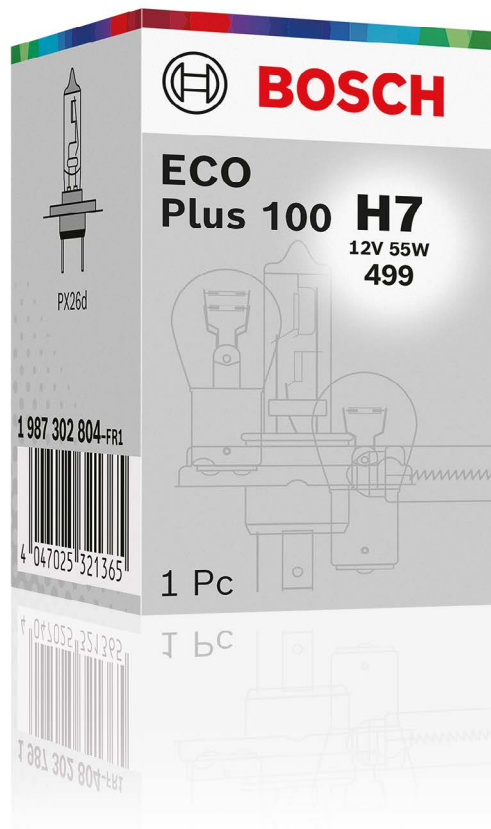
### Front view comparison



# ECO Plus 100

## Product details

ECO Plus 100 automotive bulbs deliver up to 100% more light than standard ECO halogen bulbs. They provide better road illumination and therefore more safety.



Available  
as  
H4 and H7

### Advantages at a glance

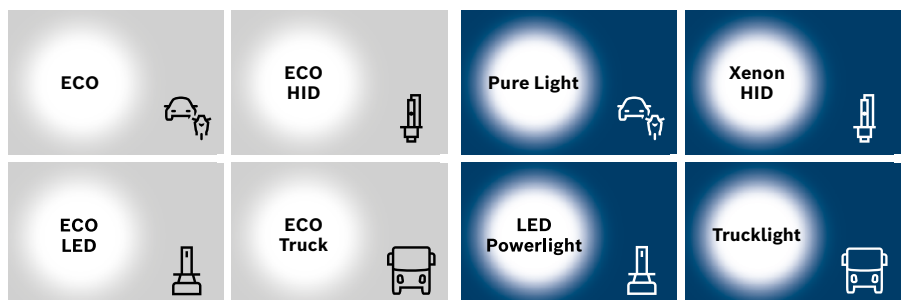
- **Longer beam of light:** For increased safety, obstacles and road markings can be detected earlier
- **Bright light, which is easier on the eyes:** For ensuring the driver's eyes do not tire so quickly
- **Good price-performance ratio:** Economic alternative for great value, even for older vehicles

# Bosch automotive bulbs

## Product range & details



	Grey product line Bosch ECO	Blue product line
	Economic range including the most important automotive bulbs for price-oriented customers expecting both a value-based repair and reliable Bosch quality.	Universal and complete Bosch range in original equipment quality including all common automotive bulbs for quality-oriented customers expecting high performance.
Product range	57 part numbers	More than 300 part numbers
Packaging	Grey (workshop)	Blue (DIY, workshop)
Sales promotion	●	● ● ●
ECE approval	E-Mark	E1
Nominal voltage	12 V, 24 V	6 V, 12 V, 24 V
Scope of application		
Availability	Country-specific	Worldwide



### Bosch automotive bulb kits

- the right spare bulb always within reach
- the Bosch Minibox – small and handy, ideal for the glove compartment
- the Bosch Maxibox – emergency spares for almost all automotive bulbs
- mandatory in several European countries





# ECO automotive bulbs

## Program overview

### ECO automotive bulbs

Part number	Bulb type (ECE)	Voltage	Power	Base type	EAN Code
1 987 302 801	H1	12 V	55 W	P14,5s	4047025321334
1 987 302 802	H3	12 V	55 W	PK22s	4047025321341
1 987 302 803	H4	12 V	60/55 W	P43t	4047025321358
1 987 302 804	H7	12 V	55 W	PX26d	4047025321365
1 987 302 805	H8	12 V	35 W	PGJ19-1	4047025321549
1 987 302 806	H11	12 V	55 W	PGJ19-2	4047025321556
1 987 302 807	HB3	12 V	60 W	P20d	4047025321563
1 987 302 808	HB4	12 V	51 W	P22d	4047025321570
1 987 302 809	H6W	12 V	6 W	BAX9s	4047025321372
1 987 302 810	C5W	12 V	5 W	SV8,5-8	4047025321389
1 987 302 811	P21W	12 V	21 W	BA15s	4047025321396
1 987 302 812	PY21W	12 V	21 W	BAU15s	4047025321402
1 987 302 813	P21/4W	12 V	21/4 W	BAZ15d	4047025321419
1 987 302 814	P21/5W	12 V	21/5 W	BAY15d	4047025321426
1 987 302 815	R5W	12 V	5 W	BA15s	4047025321433
1 987 302 816	R10W	12 V	10 W	BA15s	4047025321440
1 987 302 817	T4W	12 V	4 W	BA9s	4047025321457
1 987 302 818	W3W	12 V	3 W	W2,1x9,5d	4047025321464
1 987 302 819	W5W	12 V	5 W	W2,1x9,5d	4047025321471
1 987 302 820	WY5W	12 V	5 W	W2,1x9,5d	4047025321488
1 987 302 821	W16W	12 V	16 W	W2,1x9,5d	4047025321495
1 987 302 822	W21W	12 V	21 W	W3x16d	4047025321501
1 987 302 823	W21/5W	12 V	21/5 W	W3x16q	4047025321518
1 987 302 824	-	12 V	1,2 W	W2x4,6d	4047025321525
1 987 302 825	-	12 V	10 W	SV8,5-8	4047025321532
1 987 302 826	R2	12 V	45/40 W	P45t	4047026633054
1 987 302 827	HS1	12 V	35/35 W	PX43t	4047026590982
1 987 302 828	HIR2 (9012)	12 V	55 W	PX22d	4047026591002
1 987 302 840	-	12 V	100/90 W	P43t	4047025927512

### ECO automotive truck bulbs

Part number	Bulb type (ECE)	Voltage	Power	Base type	EAN Code
1 987 302 860	H1	24 V	70 W	P14,5s	4047026064278
1 987 302 861	H3	24 V	70 W	PK22s	4047026064292
1 987 302 862	H4	24 V	75/70 W	P43t	4047026064315
1 987 302 863	H7	24 V	70 W	PX26d	4047026064339
1 987 302 864	C5W	24 V	5 W	SV8,5-8	4047026048605
1 987 302 865	P21W	24 V	21 W	BA15s	4047026048629
1 987 302 866	PY21W	24 V	21 W	BAU15s	4047026048643
1 987 302 867	P21/5W	24 V	21/5 W	BAY15d	4047026048667
1 987 302 868	R5W	24 V	5 W	BA15s	4047026048681
1 987 302 869	R10W	24 V	10 W	BA15s	4047026048704
1 987 302 870	T4W	24 V	4 W	BA9s	4047026048728
1 987 302 871	W3W	24 V	3 W	W2,1x9,5d	4047026048742
1 987 302 872	W5W	24 V	5 W	W2,1x9,5d	4047026048766
1 987 302 873	-	24 V	1,2 W	W2x4,6d	4047026048780
1 987 302 874	-	24 V	1,2 W	B8,5d	4047026048803
1 987 302 875	R2	24 V	55/50 W	P45t	4047026592740

# ECO automotive bulbs

## Program overview

### ECO HID automotive bulbs

Part number	Bulb type (ECE)	Voltage	Power	Base type	EAN Code
1 987 302 850	D1S	85 V	35 W	PK32d-2	4047026227482
1 987 302 851	D2S	85 V	35 W	P32d-2	4047026227505
1 987 302 852	D2R	85 V	35 W	P32d-3	4047026227512
1 987 302 853	D3S	42 V	35 W	PK32d-5	4047026581959

### ECO Plus 100 automotive bulbs

Part number	Bulb type (ECE)	Voltage	Power	Base type	EAN Code
1 987 302 833	H4	12 V	60/55 W	P43t	4047026581973
1 987 302 834	H7	12 V	55 W	PX26d	4047026592726

### ECO LED automotive bulbs

Part number	Bulb type (ECE)	Voltage	Power	Base type	EAN Code
1 987 301 700	H4	12 V	24 W	P43t	4047026591026
1 987 301 701	H7	12 V	24 W	PX26d	4047026591033
1 987 302 880	C5W	12 V	2,5 W	SV8,5-8	4047026592764
1 987 302 881	W5W	12 V/24 V	1 W	W2,1x9,5d	4047026592788
1 987 302 882	Sof. 10W	12 V	2,5 W	SV8,5-8	4047026592801
1 987 302 883	T4W	12 V	1 W	BA9s	4047026592825

# What drives you, drives us

Bosch technologies are used in most vehicles worldwide.  
People, and assuring their mobility, is what we are focused on.

Therefore, we have dedicated over 130 years of pioneering spirit  
and expertise in research and manufacturing to achieving this.

We provide the aftermarket and workshops worldwide with modern diagnostic and workshop  
equipment and a wide range of spare parts for passenger cars and commercial vehicles:

- solutions for efficient vehicle repairs
- innovative workshop equipment and software
- one of the world's most comprehensive ranges of new and exchange parts
- large network of wholesale customers, for quick and reliable parts supply
- competent hotline support
- comprehensive educational and training offers
- targeted sales and marketing support

**Find out more at:**  
[boschaftermarket.com](https://boschaftermarket.com)

**Robert Bosch GmbH**  
Automotive Aftermarket

Auf der Breit 4  
76227 Karlsruhe  
Germany